

Automatic Fresh-cut Dryer

Key's **Automatic Fresh-cut Dryer** removes surface water from fresh-cut produce gently and consistently, enhancing quality and extending shelf life. High-volume flexibility allows use in batch processing or continuous flow mode; as a stand-alone solid performer or as the central point of line control. Patented technology and dependable performance make the Automatic Fresh-cut Dryer the ideal choice for your fresh-cut line.



Key's Automatic Fresh-cut Dryer reliably dries fresh-cut while economizing on floor space.

Performance

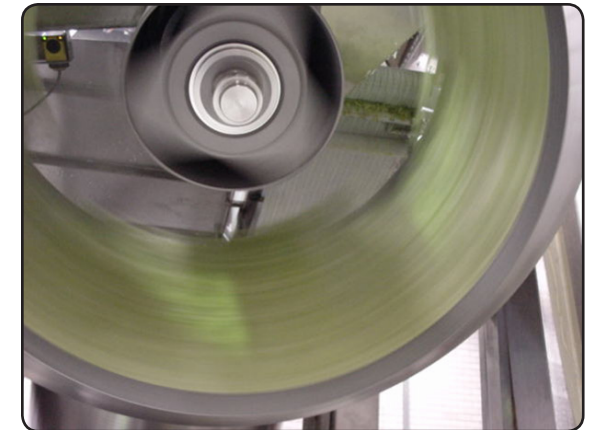
- Capacities up to 12,000 kg/hr (26,400 lb/hr)
- Patented spiral layering for even drum loading and unloading
- Fast, efficient drying with even centrifugal pressure
- Air assisted unload for even drum clean-out
- Simple touch-screen AB controls
- Enabled with Ethernet communication links
- Control single unit or entire line
- All stainless steel construction

Reliability

- Easy wash down access
- Open access design for ease of sanitation
- Low maintenance, self-balancing drums
- Automated air-shear cleans infeed belt

Flexibility

- One, two, or four drum models
- Batch or continuous flow
- Reversing feed belt for even drum loading
- Fill, dry, and unload times are adjustable and programmable
- Drum speed is adjustable and programmable
- Control box capacity for additional motor starters
- Effective on a wide range of fresh-cut product



The patented spiral layering fill method ensures efficient, gentle drying

Key Technology

150 Avery Street • Walla Walla, WA 99362 • USA

Phone: 509.529.2161 • Fax: 509.527.1331 • product.info@key.net • www.key.net



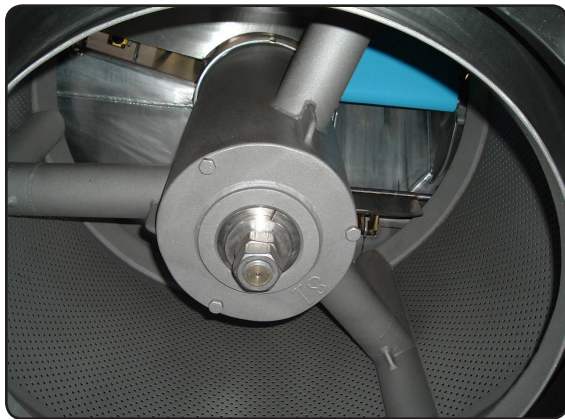
Automatic Fresh-cut Dryer Specifications

Construction

- Stainless steel

Drum Speed

- From zero to 750 rpm



Dryer drum is one moving part

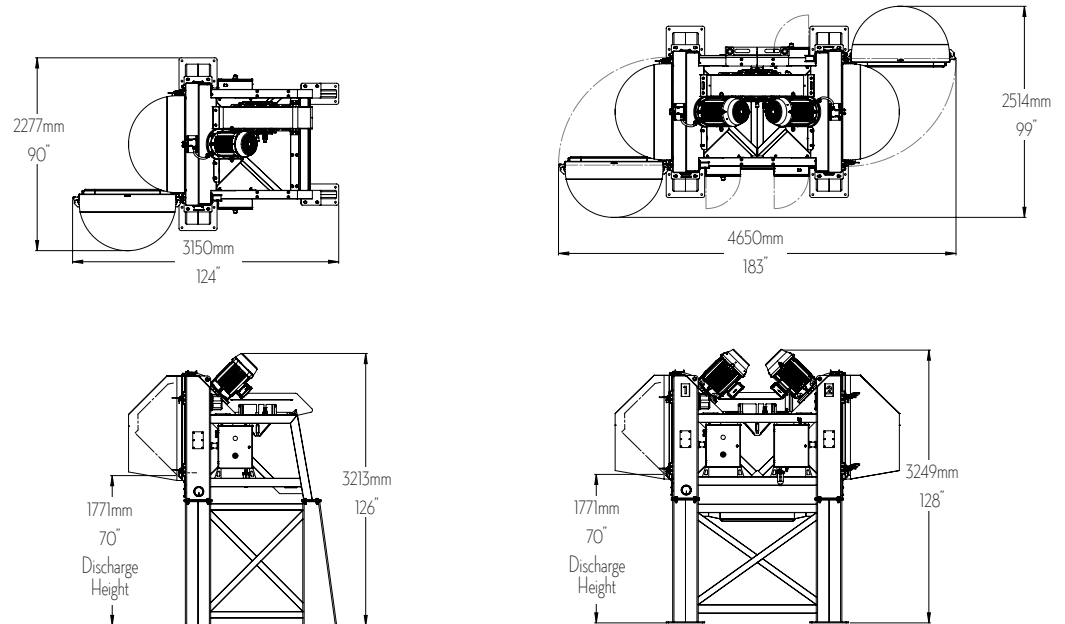


PanelView line control system is easy to operate

Capacity kg/hr (lb/hr)

Product	Drum Weight kg (lb)	Drying Time (seconds)			
		30	60	90	120
Chopped Iceberg	54.4 (120)		1753 (3857) 32 drums/hr	1383 (3042) 25 drums/hr	
Shredded Iceberg	58.9 (130)		1899 (4179) 32 drums/hr	1498 (3296) 25 drums/hr	
Shredded/Diced Cabbage	58.9 (130)	2594 (5707) 44 drums/hr	1899 (4179) 32 drums/hr		
Baby Spinach	24.9 (55)		804 (1768) 32 drums/hr	634 (1394) 25 drums/hr	523 (1151) 21 drums/hr
Spring Mix	27.2 (60)		877 (1929) 32 drums/hr	691 (1521) 25 drums/hr	571 (1256) 21 drums/hr
Chopped Romaine	40.8 (90)		1315 (2893) 32 drums/hr	1037 (2282) 25 drums/hr	

Constant Parameters: Average Fill/Acceleration Time = 30 s, Average Deceleration/Unload Time = 15 s, Average Air Clean = 7 s



One-drum Dryer
Weight = 1450 kg (3200 lbs)

Two-drum Dryer
Weight = 2730 kg (6000 lbs)