

# Standard Iso-Flo® Dewatering Vibratory Conveyor

Key Technology's [Iso-Flo® Standard Dewatering Vibratory Conveyors](#) are a simple, cost effective option for the user who needs conveying capability from a standardized design. From Key's [Smart Shaker® solution](#) set, [Iso-Flo®](#) provides a reliable and cost-effective solution.

These competitively priced, off-the-shelf standard dewatering units are ready for quick delivery, yet provide Iso-Flo® efficiency and reliability. Many features are incorporated to make this series of shakers appropriate for many applications and markets.

## Two Standard Sizes

- Model 2472: 0.93 square meters (10 square feet) of screen area
- Model 3672: 1.4 square meters (15 square feet) of screen area

## Screen Selection

- Stainless steel construction
- Screen designs for specific needs - round or triangular (tri-rod), wire mesh, punch plate
- Vector-Lock™ screen clamp system secures screens, yet allows quick removal for cleaning and changing



*Iso-Flo® Standard Dewatering Shaker*

## Simple, Sanitary Design

- Drain pans for collection of water and waste
- Molded polyethylene standard; stainless steel available
- All stainless steel welded plate-style frame
- Molded seamless polyethylene drain pan with 152 mm (6") tapered outlet
- 1 hp (0.75 kW) 230/460/60/3 Baldor washdown motor

## Capacity

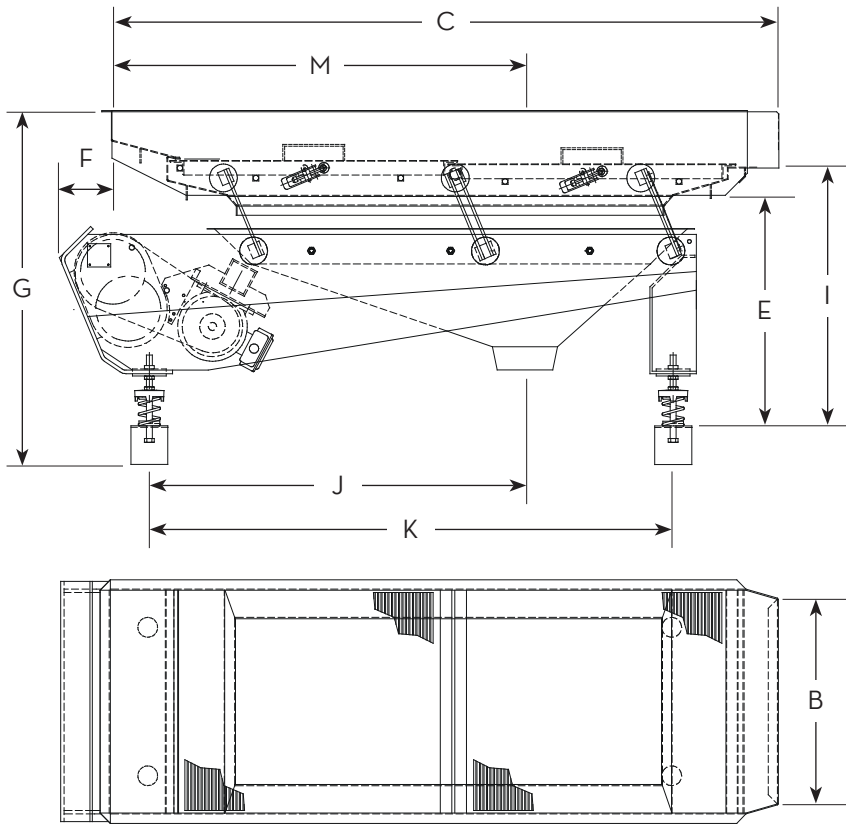
- Model 2472: 1,135 liters (300 gallons) per minute
- Model 3672: 1,893 liters (500 gallons) per minute

**Key Technology**

150 Avery Street • Walla Walla, WA 99362 • USA

Phone: 509.529.2161 • Fax: 509.527.1331 • [product.info@key.net](mailto:product.info@key.net) • [www.key.net](http://www.key.net)





## Typical Dimensions

Dimension	Model 2472 P/N 421788	Model 3672 P/N 421789
A	610 mm (24")	914 mm (36")
B	559 mm (22")	865 mm (34")
C	1829 mm (72")	1829 mm (72")
D	457 mm (18")	711 mm (28")
E	229 mm (9")	229 mm (9")
F	144 mm (5-11/16")	144 mm (5-11/16")
G	721 mm (28-3/8")	721 mm (28-3/8")
H	864 mm (34") approximate	864 mm (34") approximate
I	705 mm (27-3/4") approximate	705 mm (27-3/4") approximate
J	1029 mm (40-1/2")	1029 mm (40-1/2")
K	1435 mm (56-1/2")	1435 mm (56-1/2")
L	768 mm (30-1/4")	1073 mm (42-1/4")
M	1130 mm (44-1/2")	1130 mm (44-1/2")

*A wide range of custom sizes, configurations and surface finishes are also available to fit your line needs.*